

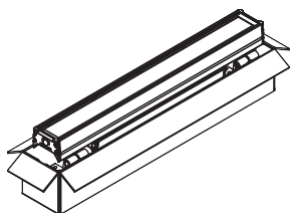
ELEGANT MINI

Installation Manual



INCLUDED

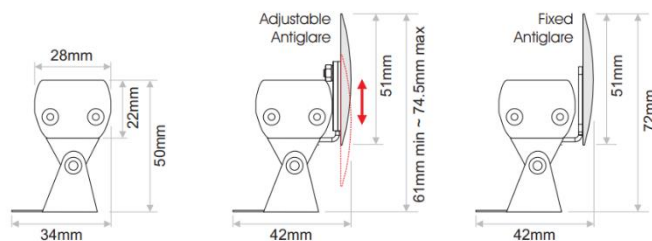
Box Contents



- Luminaire
- Mounting Brackets

Dimensions LxWxH DIMENSIONS

Luminaire	250/300/500/600/1000/1200x 34 x 50mm
Luminaire with Fixed Antiglare	250/300/500/600/1000/1200x 42 x 72mm
Luminaire with Adjustable Antiglare	250/300/500/600/1000/1200x 42 x 61 ~74.50mm
Run Box	Varies depending on quantity

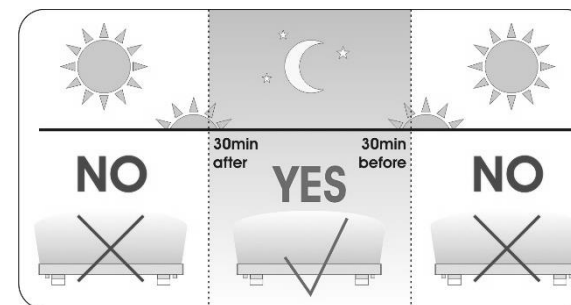


⚠ ATTENTION!

- Make sure to read thoroughly all the instructions before using the product.
- The installation of the luminaire must be done by a specialized technician.
- Make sure that the power supply is turned off during the installation procedure.

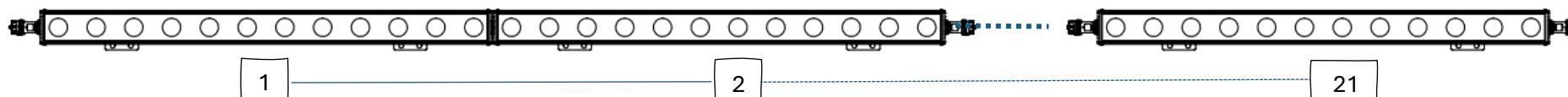


- Do not install the luminaire near any kind of heating source.
- The supply input of multichannel models is common anode, and the appropriate power supply and controller should be used.
- Do not look directly at the light source when it's turned on.
- Do not try to fix any damage or malfunction; by opening the luminaire. This must be done by an experienced and specialized technician.
- The manufacturer is not responsible for any injury or damage that will occur from the improper installation or use of the product.
- Make sure that all the local laws and regulations are followed during the installation procedure.
- Failure to observe installation instructions and handling will void warranty of the product.
- All connections and are IP 68 graded
It is the installer's responsibility to ensure that all connections are properly executed in order to maintain that IP grade.



INSTALLATION LIMITS FOR MONOCHROMATIC & TW MODELS @24VDC

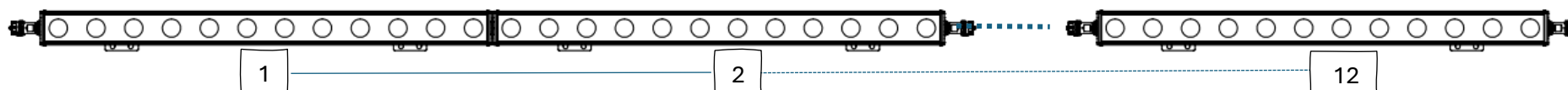
Maximum power in daisy chain **280W**.



*Example installation of a Standard Monochromatic Elegant MAX II **13W (60cm)** ($280W/13W=21$ luminaires)

INSTALLATION LIMITS FOR RGBW MODELS @24VDC

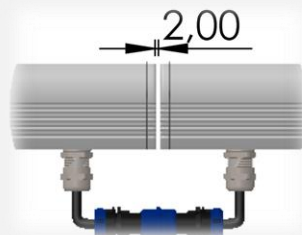
Maximum power in daisy chain **160W**.



*Example installation of a Standard TW Elegant MAX / MAX II **13W (60cm)** ($160W/13W=12$ luminaires)







Note. In daisy chains it is possible for the luminosity of the first luminaire to be different from the luminosity of the last one. This happens because of the voltage drop in the power supply cable. To avoid this, you can also supply the output of the last luminaire from the same power supply.

Keep 2mm distance between the luminaires in order to keep consistent LED pitch and have adequate space for thermal expansion.



Cables and power connector's description.

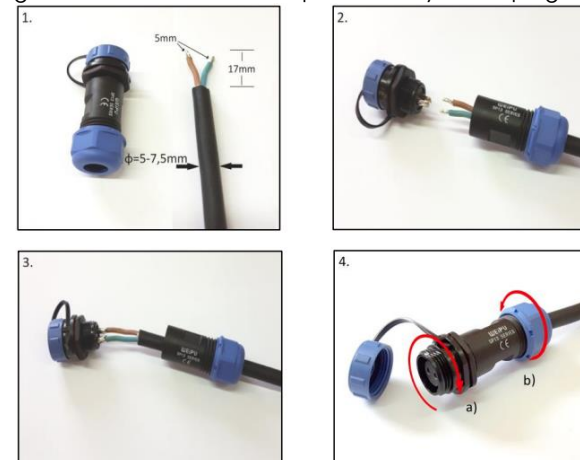
Elegant MAX & MAX II are delivered with or without power connectors. When connectors are not available the cables will have color coding as mentioned in the parentheses. When connectors are available each pole has a numeric description. Below you can find the number marked on each cable.

Pins layout position	Cable's Numerical Description		
Terminal 1: Positive (+)	Monochromatic Model: Wire No1 (Color: Red)	Male 2p.	Female 2p.
Terminal 2: Negative (-)	Wire No2 (Color: Black)		
Terminal 1: Common (+) Terminal 2: Warm (-)	Tunable White Model Wire No1 (Color: Black) Wire No2 (Color: Yellow)	Male 3p.	Female 3p.
Terminal 3: Cool (-)	Wire No3 (Color: Blue)		
Terminal 1: Common (+) Terminal 2: Red (-) Terminal 3: Green (-) Terminal 4: Blue (-) Terminal 5: White (-)	RGBW Model Wire No1 (Color: Black) Wire No2 (Color: Red) Wire No3 (Color: Green) Wire No4 (Color: Blue) Wire No5 (Color: White)	Male 5p.	Female 5p.
			

- The input voltage of Elegant MINI & MINI ECO is 24VDC.
- In Tunable white and RGBW models the positive pole is common for all channels. Thus, the controller or power supply that is going to be used for these models must be Common Anode.
- Dimming can be done by PWM (Pulse Width Modulation).
- During the installation of Elegant should not be supplied with voltage.

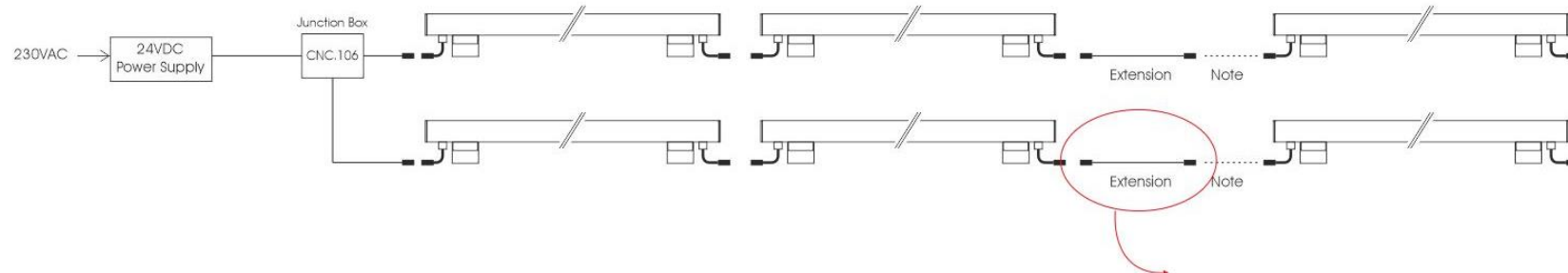
Assembling and soldering process for power plugs.

For assembling and soldering the 2 poles power plugs to the proper cable (same for 3p 4p and 5p cable), the following procedure must be followed to be ensured the correct soldering of the cables and the impermeability of the plugs to water.



- Picture 1. The cable that will be used needs to have an outer diameter of 5-7,5mm. Remove the outer cable insulation by 17mm (maximum) and then remove the two inner insulations from the cables by exact 5mm.
- Picture 2. Unscrew the front side from the plug. Insert the cable to the main body of the plug from the cable gland's side. Galvanize cable's copper and terminals inside the plug.
- Picture 3. Solder the cables to the plug's terminals.
- Picture 4a. Screw and well tighten the side of the terminals to the main body. For strong tightening to be achieved, connect the plug to its corresponding male or female pair and repeat the previous procedure.
- Picture 4b. The cable's gland must be strongly tightened.

WIRING DIAGRAM



Extension cables with connectors IP68



2 pole

- WIR.546** 2pole 100cm
- WIR.547** 2pole 200cm
- WIR.480** 2pole 300cm
- WIR.481** 2pole 500cm

3 pole

- WIR.476** 3pole 100cm
- WIR.477** 3pole 200cm
- WIR.478** 3pole 300cm
- WIR.479** 3pole 500cm

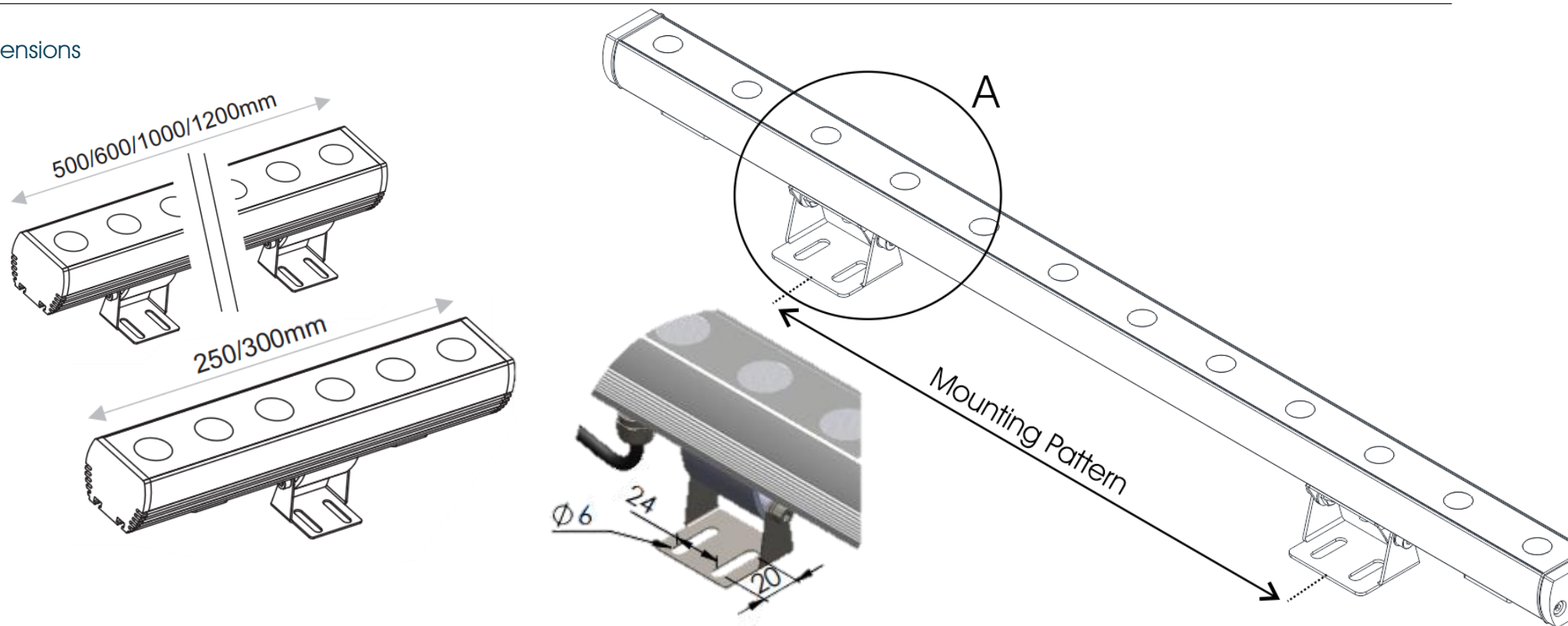
4 pole

- WIR.482** 4pole 100cm
- WIR.548** 4pole 200cm
- WIR.483** 4pole 300cm
- WIR.484** 4pole 500cm

5 pole

- WIR.549** 5pole 100cm
- WIR.485** 5pole 200cm
- WIR.552** 5pole 300cm
- WIR.486** 5pole 500cm

Dimensions



Elegant MINI & MINI ECO

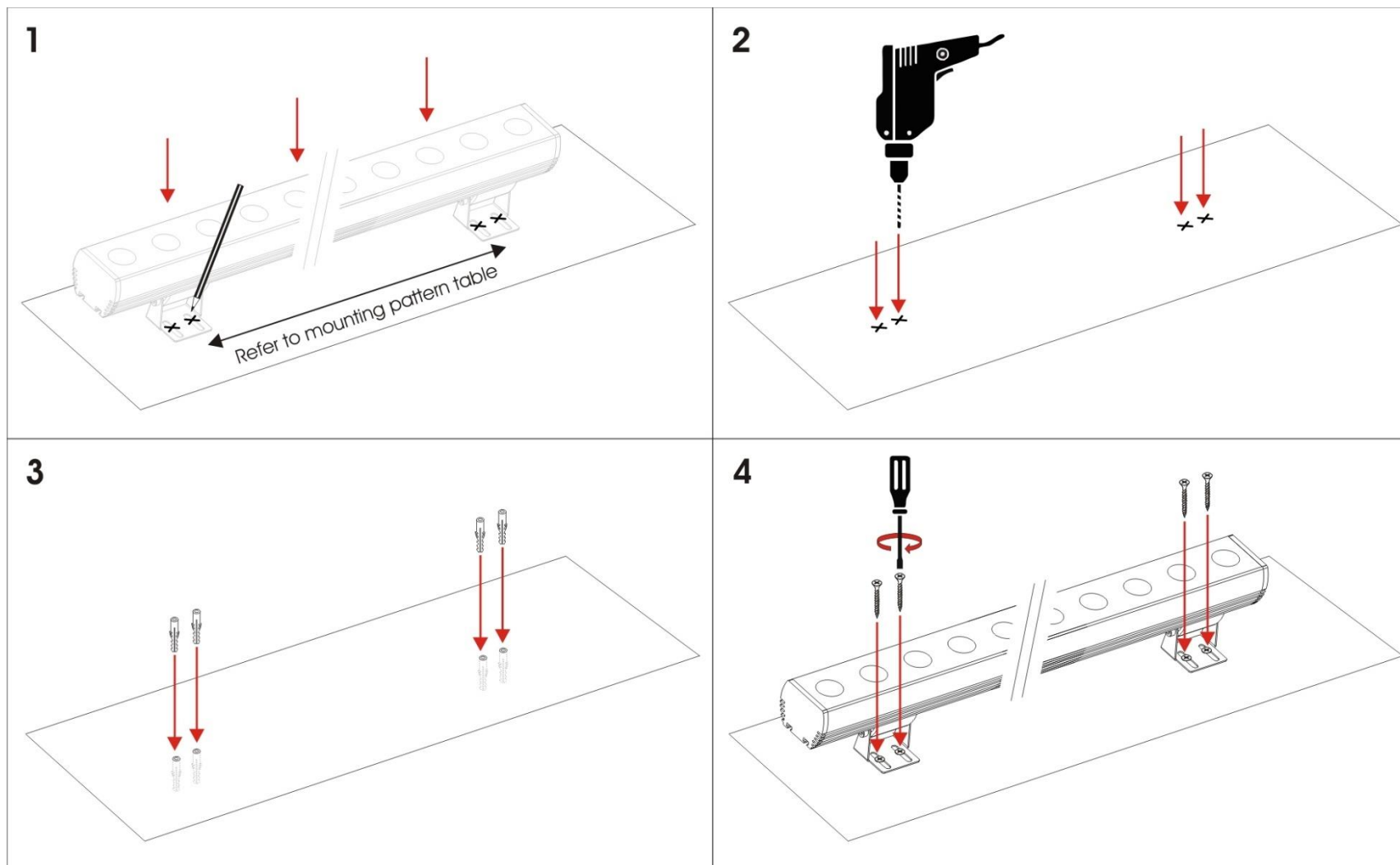
Distance (From the center of bracket to bracket)

- Models**
 25 cm
 30 cm
 50 cm
 60 cm
 100 cm
 120 cm

- -
 29cm
 39cm
 70cm
 90cm

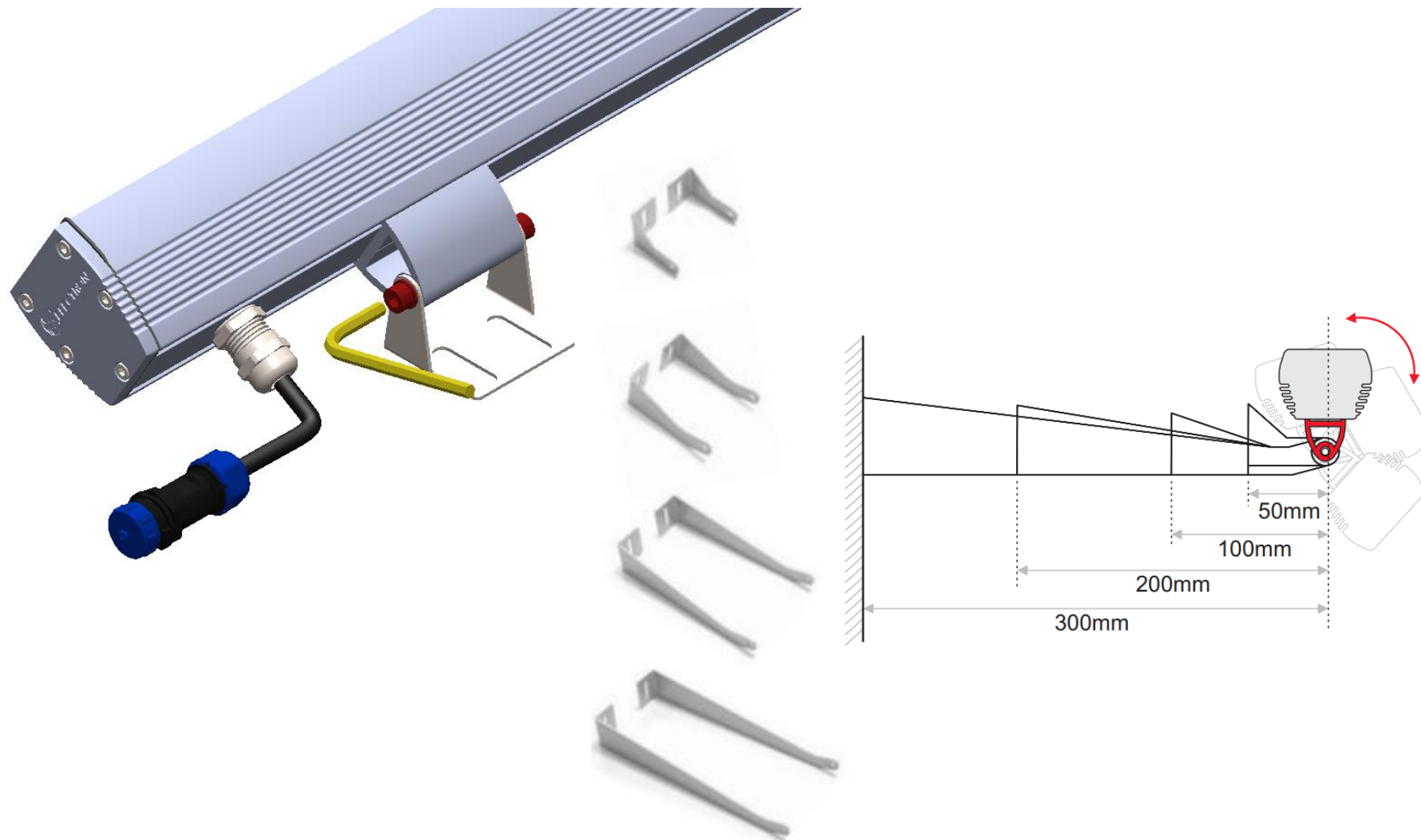
Installation

Mark the installation area based on the mounting pattern, then proceed to drill accordingly. Ensure to utilize the appropriate anchors for the installation surface.



Adjustment

In order to adjust Elegant you must untight the screws marked with red colour (Using A 4mm Allen key). This applies for all mounting brackets.



Antiglare Installation



- Picture 1. Place the luminaire and the antiglare on a flat, stable surface.
- Picture 2. Remove the screws from the designated area of the antiglare, indicated by a sticker.
- Picture 3a. Position the luminaire on top of the antiglare.
- Picture 3b. Securely fasten the antiglare to the luminaire, ensuring the screws are tightened properly.
- Picture 5. For adjustable models, loosen the marked nuts to reposition the antiglare as needed. Once adjusted, retighten the screws securely to lock it in place.

Technical specifications.

Length.	25/30/50/60/100/120cm
LEDs.	SMD 1in1 LEDs are used for Monochromatic/ SMD 2in1 LEDs for TW models/ SMD 4in1 LEDs for RGBW & RGBA models.
LED / Lenses quantity.	6 @25/30cm, 12 @50/60cm, 24 @100/120cm.
Pitch size.	25cm, 50cm& 100cm: 41,65mm/ 30cm, 60cm & 120cm: 50,00mm.
Pitch maintenance.	Yes. (Between models of the same pitch size).
Beam angle.	Monochromatic Tunable white(2in1), RGBW(4in1): 14, 27, 49, 13x40 degrees.
Dimming.	PWM 24VDC.
Ambient temperature.	-25°C / +50°C.
IP rating.	IP66.
Pressure equalization.	Screw Vent (Breather) 190ml/min @0,07bar.
Power connector.	IP68 2,3 or 5 poles depending on the model.
Connectors.	PA66 NYLON.
IK rate.	IK04.
Protective cover.	3mm tempered Low-Iron glass.
Main body.	Powder coated natural anodized anticorrosion aluminum EN AW-6060.
Input voltage.	24VDC
Input type.	Common anode (Valid only for multichannel models).
Power consumption. (±4%)	25-30cm: 6.5W/ 50-60cm: 13.0W/ 100-120cm: 26.0W
Compliance standards.	LVD Directive, EMC Directive.

Maximum power of Elegant Mini & Mini Eco in daisy chain connection.

Elegant Mini & Mini Eco models offer input - output cabling (available upon request) thus, daisy chain connection can be used. As a result, only the first luminaire has to be supplied with power.

When daisy chain connection is in place, the power of each chain should not exceed the values shown in the table below.

Elegant Mini & Mini Eco	Maximum power in daisy chain (Standard models)
Monochromatic	Up to 280W
Tunable White (Warm-Cool)	Up to 280W
Tunable White (Warm-Neutral-Cool)	Up to 160W
RGB	Up to 160W
RGBW	Up to 160W

***The distance (D) from the power supply to the first fixture must not exceed 5m. For $D > 5m$ & $D \leq 10m$ the maximum power of the daisy chain must be reduced by 30% or you must power supply the output of the last Elegant from the same power supply as well (supply both in & out of the daisy chain).**

Note. In daisy chains it is possible for the luminosity of the first Elegant to be different from the luminosity of the last one (**Standard Models**). This happens because of the voltage drop in the power supply cable. To avoid this, you can also supply the output of the last Elegant from the same power supply.

For more information,
please scan here!

